


Digital Dimmer

Part#: 21005

INSTALLATION INSTRUCTIONS

PARTS/TOOLS NEEDED:

				
Dimmer Switch	Bezel & Knob (optional)	Mounting Screws	Wire Nuts	Power Drill

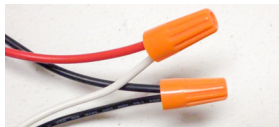
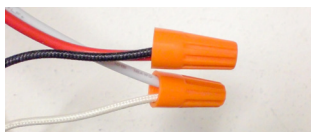
IMPORTANT SAFETY INSTRUCTIONS. READ CAREFULLY FOR YOUR PROTECTION AND SAVE ALL INSTRUCTIONS.

- Disconnect power before installing, adding or changing any component.
- To avoid a hazard to children, account for all parts and destroy all packing materials.
- It is recommended that fuse protection be added to the positive (+) input.
- **CAUTION:** To reduce the risk of overheating and possible damage to other equipment, do not install this controller to a receptacle, motor-operated appliance, fluorescent light fixture, or transformer-supplied appliance.
- **ATTENTION:** Pour réduire le risque de surchauffe et de dommages possibles à d'autres équipements, n'installez pas ce contrôleur sur une prise, appareil à moteur, luminaire fluorescent ou appareil alimenté par un transformateur.

1. Determine the installation location for your switch and cut a 1-1/2" x 2" hole using a drywall saw.



2. Using wire nuts attached the units' power to the wires labeled input and attach the output side to your selected light fixture. (figure 1)



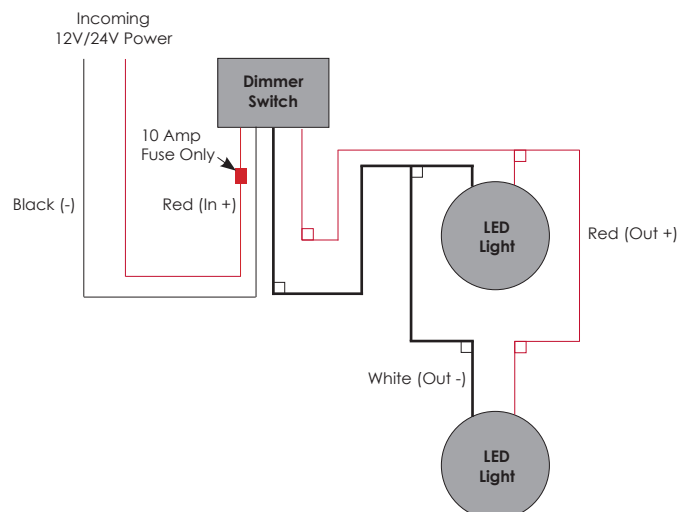
3. Feed wires back through the hole and screw the switch in place using the screws provided.



4. To attach the bezel, first remove the black knob. Slide bezel onto switch and install new knob.



Figure 1: Wire the switch based on the wiring diagram below.



3030 Corporate Grove Dr.
Hudsonville, MI 49426
Phone: 616.396.1355
itc-us.com

For warranty information please visit www.itc-us.com/warranty-return-policy
DOC #: 710-00097 · Rev D · 01/07/25