
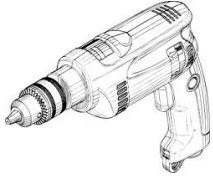



# High Output Docking Light

Part#: 69722 & 69723

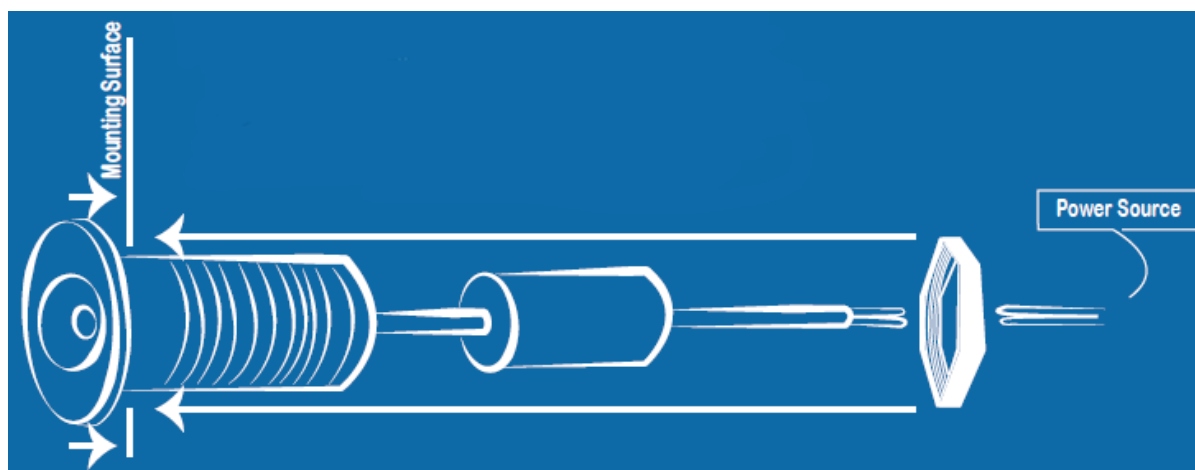
## INSTALLATION INSTRUCTIONS

PARTS NEEDED:		
		
Docking Light	Power Drill (not provided)	Wire Nuts (not provided)

### Safety Instructions

- Disconnect power before installing, adding or changing any component.
- To avoid a hazard to children, account for all parts and destroy all packing materials.
- Operating Voltage: 10 - 14V DC

1. Cut hole in mounting surface using 0.875" hole saw
2. Thread nut onto back of light and tighten securely
3. Attach wires to the power source, red is positive, black is neutral



3030 Corporate Grove Dr.  
Hudsonville, MI 49426  
Phone: 616.396.1355  
[itc-us.com](http://itc-us.com)

For warranty information please visit [www.itc-us.com/warranty-return-policy](http://www.itc-us.com/warranty-return-policy)  
Rev A · 07/20/16